

Compressed Air System Components

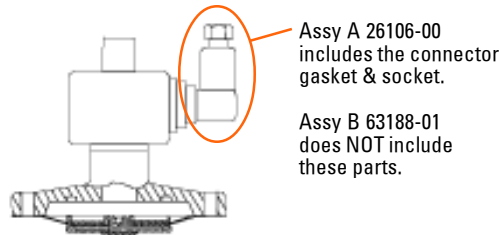
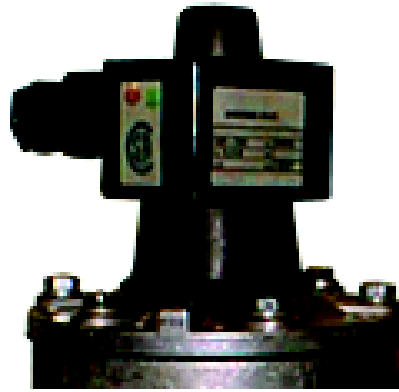
Electrically- and Pneumatically-Actuated Diaphragm Valves

Typically used in Donaldson GDX self-cleaning filter systems to control the reverse pulse of air that cleans the filters. All are rated for operation in temperatures from -40°C to +50°C.

The pneumatic valves have an integral solenoid for pilot control.

Typically Used In:

- GDX (filters mounted horizontally)



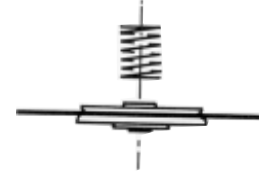
Diaphragm Valve Assemblies

Description	Donaldson Part No.	Number on the Unit	Assembly Includes
Elect. Valve Hat Assy A	26106-00*	8495735.9305/2	Valve hat, diaphragm, solenoid, coil, connector
Elect. Valve Hat Assy B	63188-01*	8495735.9302	Valve hat, diaphragm, solenoid, coil
Pneu. Valve Hat Assy	32889-00	8494923/964	Valve hat & diaphragm for connector to remote (solenoid) pilot valve

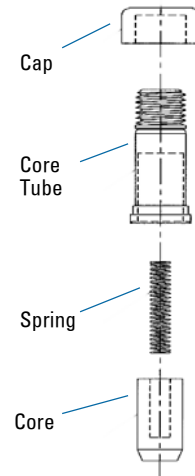
* Electrical: 110/120 Volt, 50/60 Hz, 24VA

Repair Kits

for Diaphragm Valve
Part Number 42366-00



for Solenoid
Part Number 42367-01



Compressed Air System Components

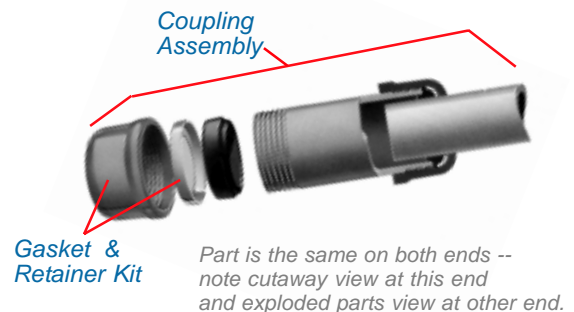
Clean, dry compressed air is used in Donaldson self-cleaning air inlet filtration systems to clean the filter elements via a quick blast of reverse-flow air. While there are many system parts, those listed below are the most commonly replaced. (Check your Filter System Manual for other part numbers specific to your system.)

Typically Used In

- GDX & TTD (pulsed, self-cleaning filter systems)

Component	Part Number	Comments
Pressure Gauge	P13-5536	0-160psig, 1/4" NPT
Filter Assembly	AD28743-01	Housing for AD28744-01 cartridge
Replacement Filter	AD28744-01	for AD28743-01 filter housing
Quick Coupling	21882-01	for 1" diam piping (see below)
Coupling Repair Kit	24699-02	gasket/retainer for 8PP-21882-01
Brass Ball Valve	46152-03	1" NPT
Low Pressure Switch	84402-01	0-100 psi, 1/2" NPT, CSA/UL appv'd
Hose	35672-01	for GDX blowpipe

QUICK COUPLING: Typically used to connect 1-inch-diameter air manifold piping, this versatile coupling is fast and easy to use -- and quite 'forgiving' as well: the connecting pipes can be out of alignment with each other by up to 14 degrees!



Compressed Air Control

Repair Kit for Solenoid Valve

(includes core tube, spring, and core)

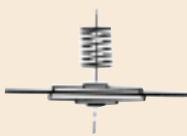
Repair kit for RCA5V3 & 5V4 solenoids
Part No. 24765-00
(formerly P12-5763)



Diaphragm Valve Repair Kit

(includes diaphragm & spring)

Part No. 23536-00



Seal & Retainer Repair Kit

Part No. 25696-00



Pilot Solenoid Valves & Enclosures

For valves that are inside enclosures that are NEMA 4, NEMA 7, CSA-appvd, UL-apprvd, or Cenelec-certified EEx'd', you can:

- Replace only the coil (per valve numbers below),
- or
- Replace only the solenoid components (per listed repair kits),
- or
- Replace the entire valve enclosure (per numbers below.)

Typically Used In

- TTD(filters mounted vertically)

Solenoid Coils

Electrical	NPT	Model	Part Number	Enclosure	Repair Kit for this valve
115VAC	1/8"	RCA3	25409-00	NEMA 4	37831-00
24VDC	1/8"	RCA3	37827-00	NEMA 7	24636-00
12VDC	1/8"	RCA3	37260-00	n/a	n/a
24VDC	1/4"	RCA5	25694-00	NEMA 7	24765-00

Solenoid Enclosure Assemblies

Part No.	Description
46575	NEMA 7
37760	NEMA 7 + UL-approved
44732	Cenelec-certified EEx'd'



24277-00 Diaphragm Valve

Remote-Actuated Pneumatic Diaphragm Valves

Diaphragm valves are pneumatic valves that connect to a remote solenoid for pilot control. These valves, with 1" / 25mm orifices, are part of the mechanism that operates the reverse pulse of air that cleans the filters. Order the entire valve, or just a repair kit, depending on what you need.

Typically Used In

- TTD(filters mounted vertically)

Valves

Description	Part Number	Model	Comments	Compatible Repair Kit
Diaphragm Valve (Not pictured)	19443-00	RCA25TD	Needs 1" NPT couplings -40° to 180°F	23536-00
Diaphragm Valve (Photo shown above)	24277-00	RCA25DD	Integral couplings -40° to 180°F	23536-00 (diaphragm) 25696-00 (seal kit)