

# Composite-Filter™ System (CFS) Replacement Filters

The Donaldson Composite-Filter™ is a two-stage filter element: an inner and an outer filter that work together as a composite design. The inner filter is made of depth-loading filter media, and the outer filter employs Donaldson's patented Spider-Web® nanofiber filter technology.

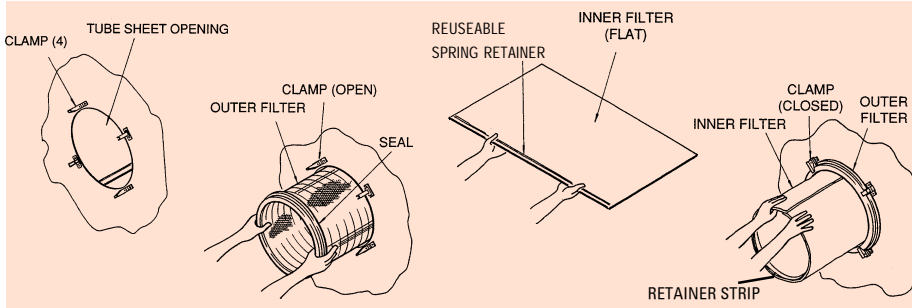
The CFS inner filter is configured as a wrap that can be installed and removed easily, held securely by a flat spring retainer. Typically changed more often than the outer filter, it is not only the first line of defense against large contaminant, it also protects the outer filter and actually extends its life. For urban environments with oily hydrocarbons, the pleated style inner filter offers more filtering surface than the standard flat style.

## Construction

- Inner Filter: non-woven poly
- Outer Filter: pleated filter media
- Shape: cylindrical
- To maintain maximum filtering surface: (a) pleats are held in place with hot melt spiral beading inside and outside, (b) our patented Pleatloc™ technique prevents media bunching.
- Liners & Endcaps: Galvanized metal standard Stainless steel optional (see list below)
- Gasket: The 360° gasket and gasket stop ensure 100% sealing without over-compressing the gasket.
- Filter Retention: four over-center latches secure element into tube-sheet. Available in stainless steel or galvanized, as listed below. Photo on page 11.



**LM6000 Operators:** Ask for our GTS-406 brochure, which illustrates air filters, pre-filters, and hydraulic filters specially designed for LM6000's!



Pleated Inner Filter for Urban Environments

## Outer Filter Dimensions

Diameter OD (w/ lip)	18¾" / 476mm
Diameter OD (w/o lip)	17½" / 446mm
Diameter ID	14" / 356mm
Length	26" / 660mm

Part Number	Length/Style	Media/Material	Comments
P03-0065	Composite Filter, outer	Synthetic/Spider-WebXP	Extra performance media
P19-0856	Composite Filter Set	Synthetic/Spider-Web	Outer filter + flat inner, w/ springretainer
P19-1129	Composite Filter Set	Synthetic/Spider-Web	Outer filter + pleated inner , w/o spring retainer
P19-0848	Composite Filter, outer	Synthetic/Spider-Web	Galvanized liners
P19-1469	Composite Filter, outer	Synthetic/Spider-Web	SS inside & outside liners
P03-0050	Composite Filter, outer	Synthetic/Spider-Web	SS outside liner
P03-0252	Composite Filter, outer	Synthetic/Spider-Web	SS outer liner & SS closed endcap
P03-0227	Composite Filter Set	Synthetic	Outer filter + flat inner filter
P03-0067	Composite Filter, outer	Synthetic	For high hydrocarbon environments
P19-5778	Composite Filter, inner	man-made fiber	Pleated. For high hydrocarbon environments
P19-0844	Composite Filter, inner	poly	Flat style, w/ spring retainer
P19-0847	Composite Filter, inner	poly	Flat style, w/o spring retainer

## Accessories

P19-0883	Spring Retainer		separate from inner element, reusable
31295-01	CFS Latch	yellow zinc plated	over-center latch
31295-02	CFS Latch	stainless steel	over-center latch